

New Kitchen Solutions 2013



tataria
driven by innovation..



Kitchen Solutions 2013

The Promise of Perfection, Innovation and Reliability

About Us

Tataria's Hardware Innovation is a company with a vision to give a life time experience of luxury and reliability to its esteemed customers. Hence, its management is comprised of very hardworking, dedicated and experienced professionals with the talent to carve the niche of their own.

The company had been engaged in the distribution of the European and the Local brands so far. But now it has come up with its own brand '**TATARIA**'. To fulfill the exponentially growing India Hardware market, the company has come up with the state-of-the-art manufacturing plant in Gujarat. The products are marketed under the brand name of '**Tataria Jindak**'.

Our aim has been and shall be to provide the absolute quality in technology and materials and the perfect functionality of every single system we produce. All segments of our range have been augmented to give customers a wider range and choice, so that we are a one stop source for all Hardware Items.

List of Products

- ▶ Curtain Bracket
 - ▶ Glass Shelving System
 - ▶ Shelf Bracket
 - ▶ Furniture Lighting
 - ▶ Wardrobe Accessories
 - ▶ Furniture Fittings
 - ▶ Sliding Door Solution
 - ▶ Aluminium Profiles
 - ▶ Auto Closing Hinge
 - ▶ Flap Stays
 - ▶ Drawer System
 - ▶ Kitchen Component
 - ▶ Shutter & Carcase
-



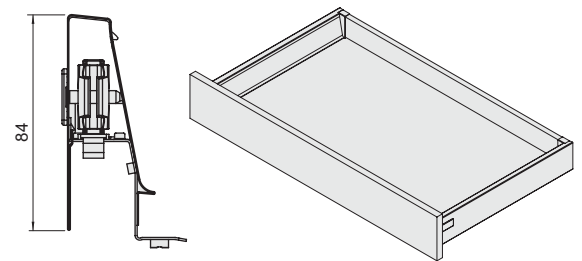
FEATURES

- ➔ Style, Versatility And Ease Of Movement
- ➔ Full extension concealed runner with 50 kg load capacity.
- ➔ Hydraulic soft closing system.
- ➔ Standard drawer side height of 84mm.
- ➔ High precision synchronized runner.
- ➔ Precision and quality in movement.
- ➔ Finish: Anthracite grey.
- ➔ Standard depth 500mm.
- ➔ Zamak screw fixing front adapter.

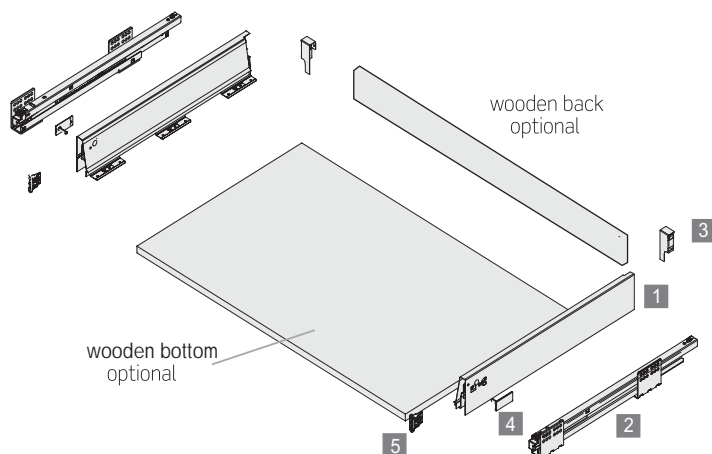
ORDER INFORMATION

| TA-123 | ITEM NO. |
|--------------------------|-------------|
| Depth 500mm/ height 84mm | 300.500.123 |

Standard Drawer



1 SET INCLUDES



1. Drawer side - 2Pcs(L + R).
2. Runner 50Kg - 2Pcs(L + R).
3. H87 Back Adapter for wooden back - 2Pcs(L + R).
4. Cover cap - 2Pcs(L + R).
5. Front bracket - 2Pcs.



FEATURES

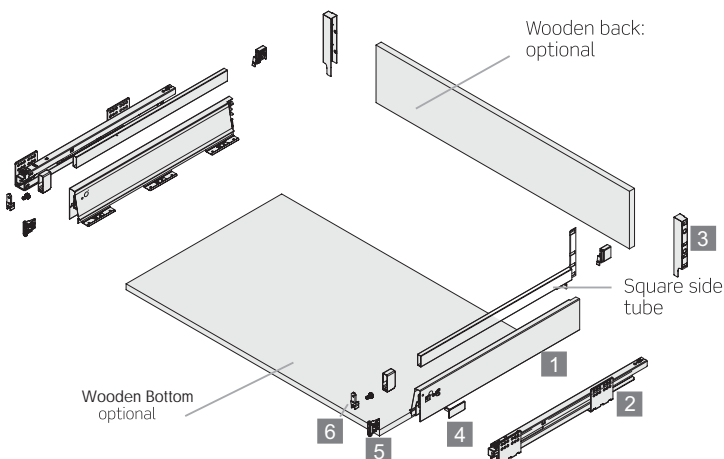
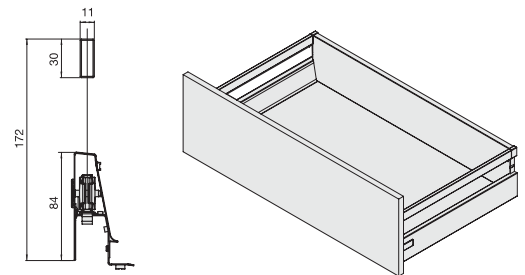
- ➔ Style, Versatility And Ease Of Movement
- ➔ Full extension concealed runner with 50 kg load capacity.
- ➔ Hydraulic soft closing system.
- ➔ Standard drawer side height of 84 mm + side tubes = total height 172mm.
- ➔ Rectangular side tube with screwfix side tube catch.
- ➔ High precision synchronized runner.
- ➔ Precision and Quality in movement.
- ➔ Finish: Anthracite grey.
- ➔ Standard depth 500mm.
- ➔ Zamak screw fixing front adapter.

ORDER INFORMATION

| TA-124 | ITEM NO. |
|------------------------------------------------------------------|-------------|
| Standard Drawer +With Rail Depth 500mm/height 84mm+Rail=172mm | 300.500.124 |

1 SET INCLUDES

Standard Drawer With Rail



1. Drawer side - 2Pcs(L + R).
2. Runner 50Kg - 2Pcs(L + R).
3. H172mm Back Adapter for wooden back - 2Pcs(L + R).
4. Cover cap - 2Pcs(L + R).
5. Front bracket - 2Pcs.
6. Screwfix side tube - 2Pcs.



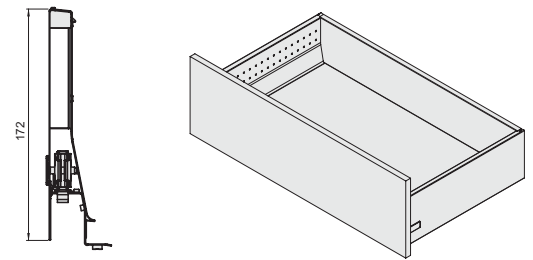
FEATURES

- ➔ Style, Versatility And Ease Of Movement
- ➔ Full extension concealed runner with 50 kg load capacity.
- ➔ Hydraulic soft closing system.
- ➔ High side drawer side height of 172 mm.
- ➔ Pan drawer in one piece.
- ➔ High precision synchronized runner.
- ➔ Precision and Quality in movement.
- ➔ Finish: Anthracite grey.
- ➔ Standard depth 500mm.
- ➔ Zamak screw fixing front adapter.

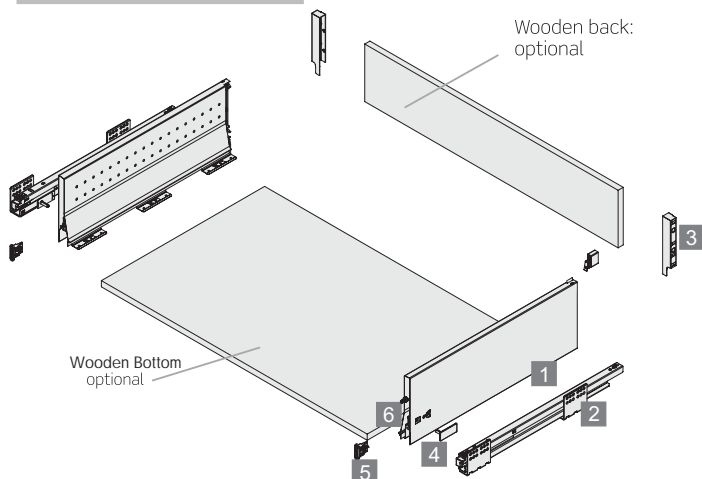
ORDER INFORMATION

| TA-125 | ITEM NO. |
|-----------------------------------------------|-------------|
| High Side Drawer Depth 500mm/ height 172mm | 300.500.125 |

High Side Drawer



1 SET INCLUDES

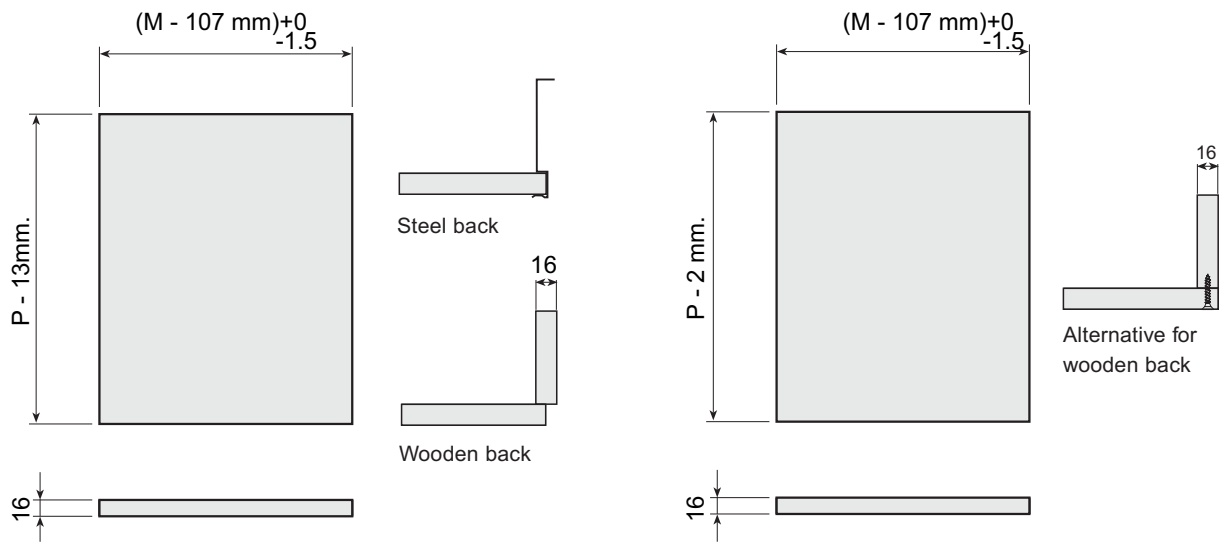


1. Drawer side - 2Pcs(L + R).
2. Runner 50Kg - 2Pcs(L + R).
3. H172mm Back Adapter for wooden back - 2Pcs(L + R).
4. Cover cap - 2Pcs(L + R).
5. Front bracket - 2Pcs.
6. Front guide - 2Pcs.

2 TECHNICAL INFORMATION

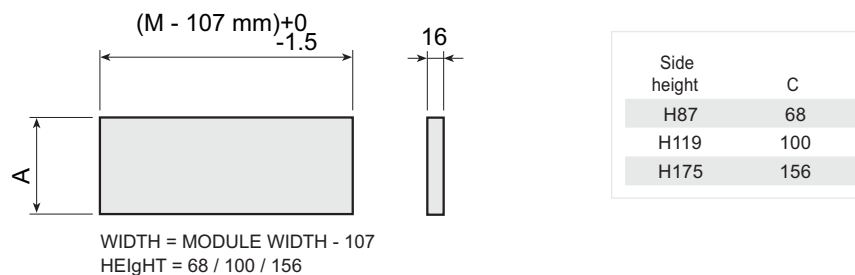
■ Drawer base dimensions

Base



P = Nominal drawer depth
M = Cabinet width

Back



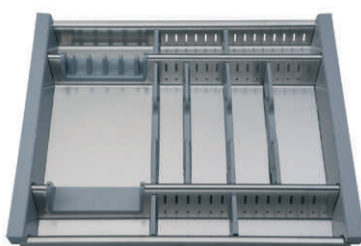


FEATURES

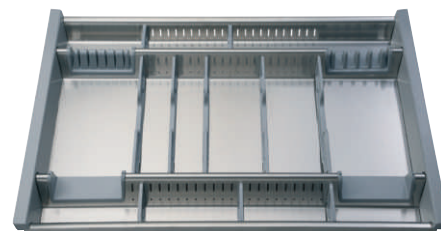
- ➔ The stainless steel base makes it easy to clean.
- ➔ The plastic dividers are removable and allow you to customize the space.
- ➔ Lateral springs system which allows adaptation inside drawers.
- ➔ Space designed for knives holder and ladles holder.
- ➔ Can be assembled without the need of fixing materials.
- ➔ Flexo fits in all drawers because of its movable sides.
- ➔ Available in stainless steel with plastic grey adjustable dividers.
- ➔ For cabinet width 600mm/900mm.
- ➔ For nominal depth 500mm.

ORDER INFORMATION

| TA-441 | ITEM NO. |
|--------|-------------|
| 600mm | 310.511.441 |
| 900mm | 310.511.442 |



600mm



900mm



FEATURES

- ➔ The glazed steel base makes it easy to clean.
- ➔ The plastic dividers are removable to allow you to customise the space.
- ➔ Designed to be inserted inside the base under the top.
- ➔ Only Blum Runners can be used. (runners excluded)
- ➔ Quick and easy assembly because of the frame that is attached directly to the cabinets runner..
- ➔ Space designed for knives holder and a ladles holder.
- ➔ Available in stainless steel with plastic grey adjustable dividers.
- ➔ For cabinet width 900mm.
- ➔ For nominal depth 500mm

ORDER INFORMATION

| TA-442 | ITEM NO. |
|--------|-------------|
| 900mm | 310.510.442 |



900mm



FEATURES

- ➔ Cutlery holder product line made of poly propylene with a soft shapes and modern design.
- ➔ Designed for maximum rationalization of space inside drawers and to increase functionality.
- ➔ Slightly angled to facilitate gripping of the cutlery.
- ➔ Provision for knives holder from 600mm drawer upwards.
- ➔ Available for cabinet width 300mm/450mm /600mm/900mm/1200mm.
- ➔ For nominal depth 500mm.
- ➔ Available color - Grey.

ORDER INFORMATION

| TA-443 | ITEM NO. |
|--------|-------------|
| 300mm | 310.510.343 |
| 450mm | 310.510.344 |
| 600mm | 310.510.345 |
| 900mm | 310.510.346 |
| 1200mm | 310.510.347 |



300mm



450mm



600mm



900mm



1200mm

FEATURES



- ➔ Line of classic cutlery.
- ➔ Grey polystyrene which is durable and easy to clean.
- ➔ Available for cabinet with 300mm / 450mm / 600mm.
- ➔ For Normal depth 500mm.
- ➔ Available color Grey.

ORDER INFORMATION

| TA-444 | ITEM NO. |
|--------|-------------|
| 300mm | 310.510.244 |
| 450mm | 310.510.245 |
| 600mm | 310.510.246 |



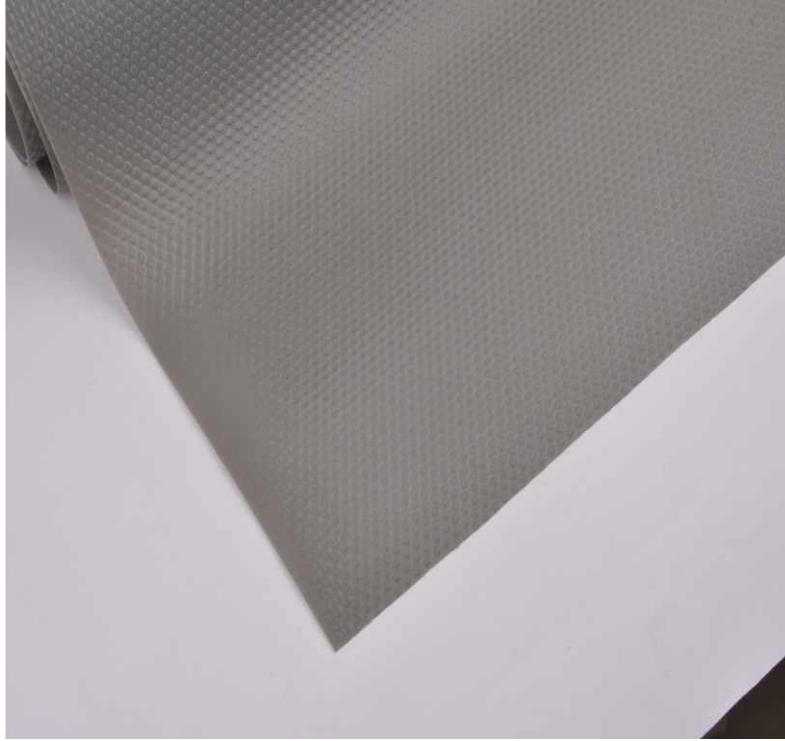
300mm



450mm



600mm

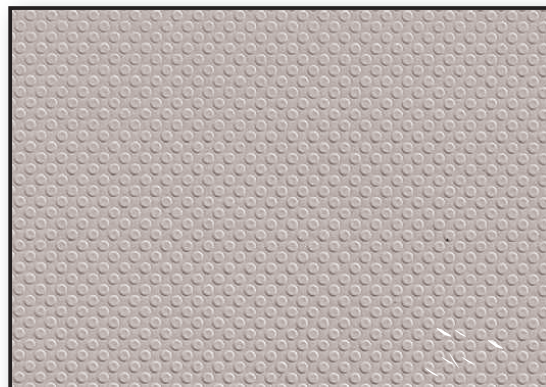


FEATURES

- ➔ High friction resistance.
- ➔ Highest Security against slipping.
- ➔ Easy cleaning.
- ➔ Finish grey.
- ➔ Thickness 1.2mm.
- ➔ Size available : 500mm x 20 mtr.
- ➔ Can be cut as per dimension.
- ➔ Protects drawer and shelves.
- ➔ Can be used in kitchen and wardrobes.

ORDER INFORMATION

| TA-02 | ITEM NO. |
|---------------------|-------------|
| 500mm x 20Mtr, grey | 330.290.002 |





FEATURES

- ➔ Non- slip matt.
- ➔ Thickness 1.5mm.
- ➔ Finish matt grey.
- ➔ Available size: 500mm x 20mtr
1450mm x 20mtr.
- ➔ Can be cut as per size.
- ➔ Easy to clean.
- ➔ High grip to the bottom.

ORDER INFORMATION

| TA-03 | ITEM NO. |
|----------------|-------------|
| 500mm x 20Mtr | 330.290.003 |
| 1450mm x 20Mtr | 330.290.004 |





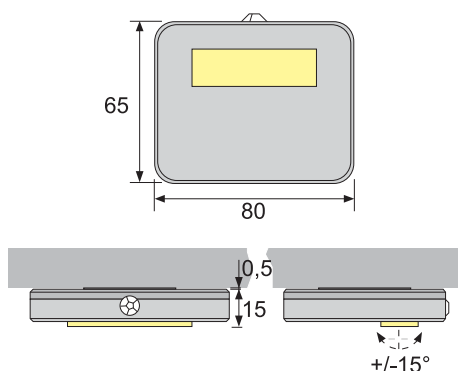
1. No wiring.
2. No additional battery cost.
3. Rechargeable.
4. In built PIR sensor.

ORDER INFORMATION

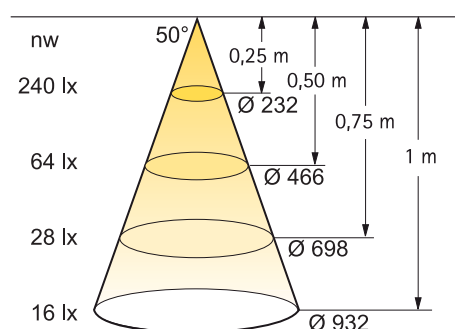
| TA-191 | ITEM NO. |
|----------------|-------------|
| LED Alpha Lite | 315.415.191 |

FEATURES

- ➔ The ecological all purpose light.
- ➔ The multi functional LED Alpha lite lights up all kinds of furniture applications.
- ➔ The integrated rechargeable battery offers hassle free, wireless installation.
- ➔ The PIR Sensor provides automatic switch on and off.
- ➔ Charging the LCD Alphalite is as easy as its installation, because of the integrated USB Mini Socket.
- ➔ Lights can be recharged at any USB port.
- ➔ To recharge the light simply dismount the light from its bayonet fixing element without any tools, when charging is finished, the LED Alphalite is installed again within seconds.
- ➔ Supplied with Mini USB Cable.
- ➔ Finish of housing – Titanium.
- ➔ Light Colour – Natural white.
- ➔ Operating voltage: 3.7v DC .
- ➔ Power Consumption – 0.3 w .



Light distribution diagram





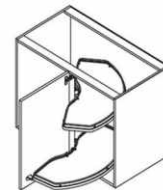
FEATURES

- ➔ Premium functional fitting for standard corner cabinets width 900 mm.
- ➔ Suitable from 490 mm internal depth.
- ➔ Also suitable for handle free kitchen furniture.
- ➔ Shelves swing almost completely out of the corner cabinet.
- ➔ Excellent access to the entire storage area.
- ➔ Wooden shelves can carry 20 kg each.
- ➔ Continuous vertical adjustment of shelves.
- ➔ Quick tool-free installation of shelves.
- ➔ Wooden shelves with chrome rail and soft close damper.
- ➔ Convenience version.

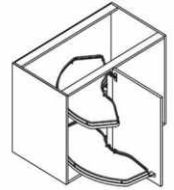
ORDER INFORMATION

| KB | TAM | APPLICATION | ITEM NO. |
|-----|-----|-------------|-------------|
| 900 | 450 | Left | 606.213.260 |
| | | Right | 606.213.262 |

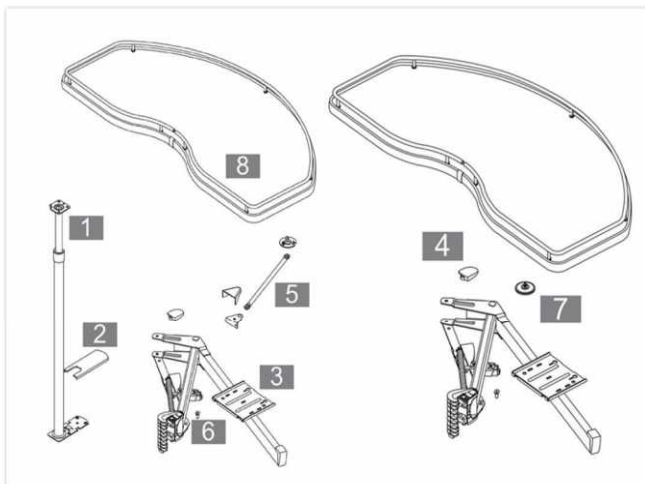
L



R



1 SET INCLUDES



1. Telescopic tube and screw-on plates top and bottom (1x)
2. Cover cap for screw-on plate, bottom (1x)
3. Swing mechanism with clamping elements, self retractor and damper (2x)
4. Cover caps for clamping element (2x)
5. Connecting arm complete with screw-on elements and cover cap for screw-on bracket (1x)
6. Opening angle reduction clips (2x)
7. Guide disc including running socket with pre-fitted Euro screw (1x)
8. Shelf (2x)



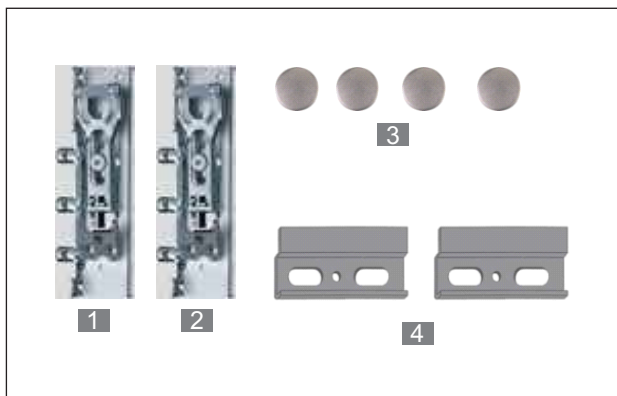
FEATURES

- ➔ Load rating upto 130 kg per wall cabinet.
- ➔ All-steel design, corrosion-resistant, galvanised.
- ➔ Requires additional fixing to the top panel.
- ➔ Suitable for steel rails and wall hooks.
- ➔ Load is distributed to 3 installation pins and one chipboard screw.
- ➔ Only 16 mm space required behind the back wall.
- ➔ With rail suspension, the plastic installation guide direct the fitting to the correct fixing position.
- ➔ Cover caps for back wall in white color.

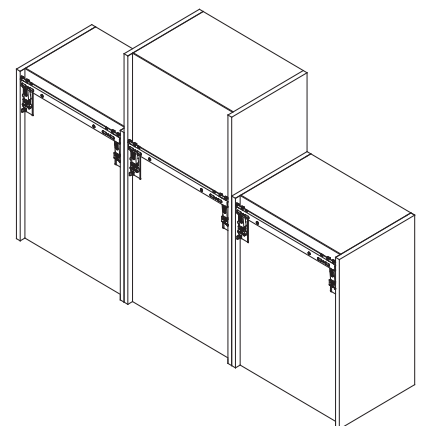
ORDER INFORMATION

| SH-62 | ITEM NO. |
|---------------------------------------------------------|-------------|
| Left/Right includes cover caps and wall mounting plates | 606.214.062 |

1 SET INCLUDES



1. Right-hand version (1x).
2. Left- hand version (1x).
3. Cover caps, white(2x).
4. Suspension rails(2x).





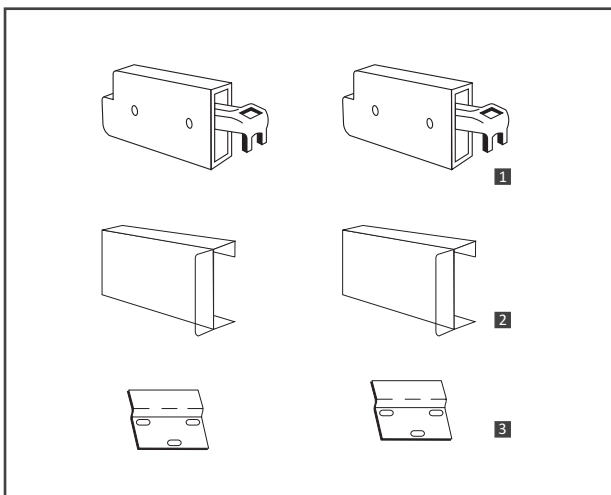
FEATURES

- ➔ Frontly adjustable hanging brackets for cabinets.
- ➔ Nylon with clutching cover in plastic.
- ➔ Screw fastening position 20-23 dia 4mm.
- ➔ Cover cap white plastic.
- ➔ Load capacity 80kg.

ORDER INFORMATION

| TA-393 | ITEM NO. |
|---------------------------------------------------------------|-------------|
| Wall Hanging Brackets include cover caps with mounting plates | 320.620.393 |

1 SET INCLUDES



1. wall hanging bracket 2pcs(L+R).
2. Cover cap white 2pcs(L+R).
3. Wall mounting plates 2pcs.



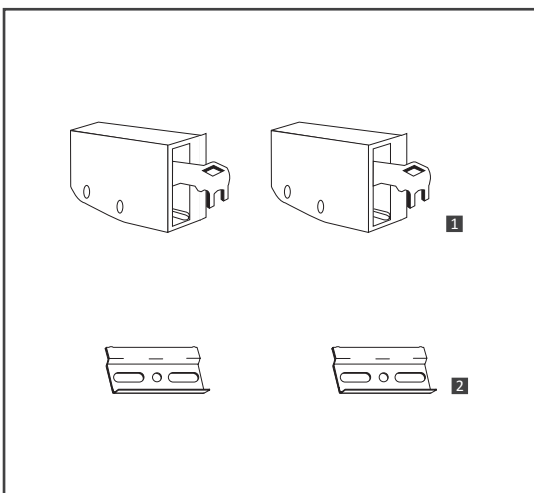
FEATURES

- ➔ Adjustable right and left hanging brackets for cabinets
- ➔ Available in white finish.
- ➔ Load Capacity 65kg.

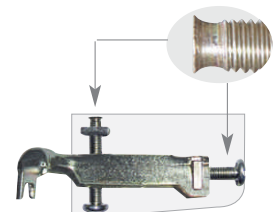
ORDER INFORMATION

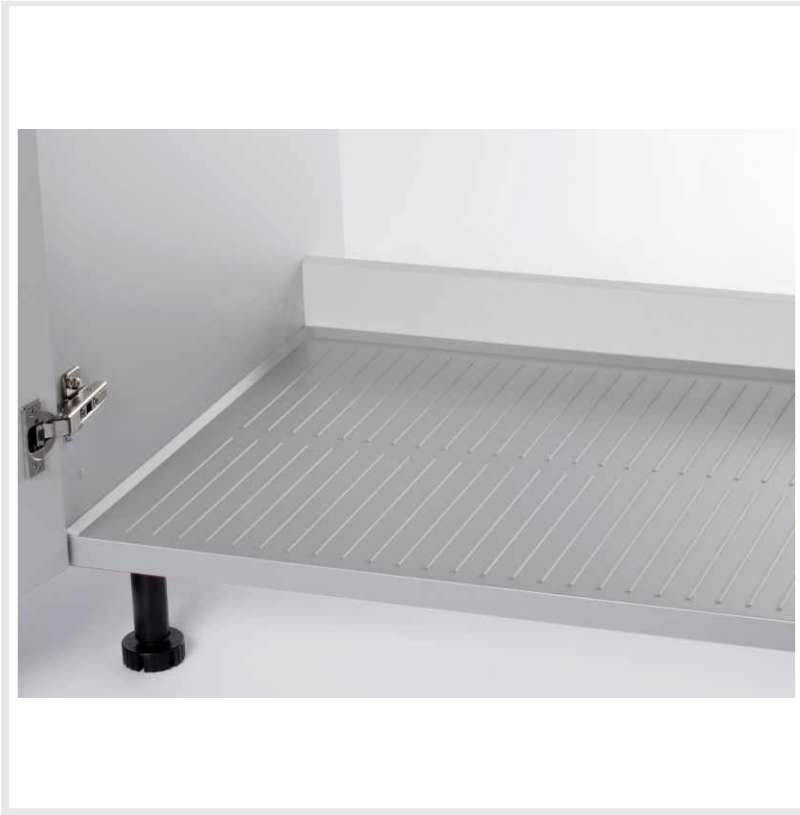
| TA-394 | ITEM NO. |
|--------------------------------------------------|-------------|
| Wall Hanging Brackets Eco with mountings plates. | 320.620.394 |

1 SET INCLUDES



1. Wall hanging bracket 2pcs(L+R).
2. Wall mounting plates 2pcs.



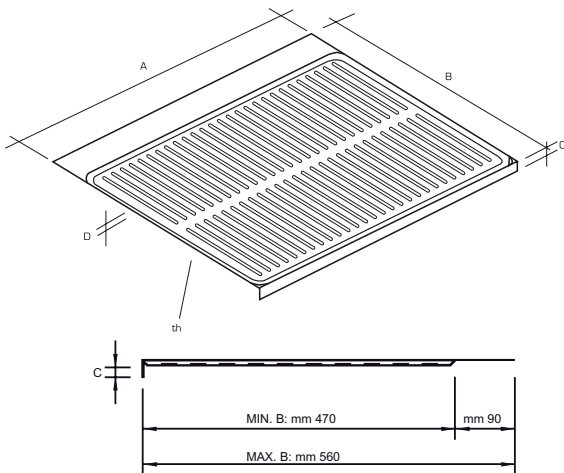


FEATURES

- ➔ Plastic protection for sink bottom.
- ➔ Easy to clean.
- ➔ Can be cut in depth as per size.
- ➔ Finish : plastic grey.
- ➔ Available size: (w) 563mm x (d) 560mm
(w) 863mm x (d) 560mm.

ORDER INFORMATION

| TA-390 | ITEM NO. |
|-------------------------------|-------------|
| Under Sink Base Plastic 600mm | 340.701.390 |
| Under Sink Base Plastic 900mm | 340.701.391 |



A = 563/863mm.

B = min 470 max 560.

C = 18mm.

D = 8mm.

Thick = 1.2mm.



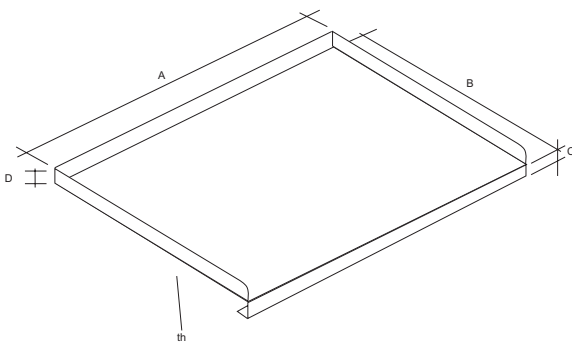


FEATURES

- ➔ Smooth varnished surface for sink bottom.
- ➔ Closed seal(Ruber Edge) at both the side.
- ➔ Finish: SS brush.
- ➔ Available sizes: (w) 563mm x (d) 560 mm
(w) 863mm x (d) 560mm

ORDER INFORMATION

| TA-391 | ITEM NO. |
|--------------------------|-------------|
| Under Sink Base SS 600mm | 340.702.391 |
| Under Sink Base SS 900mm | 340.702.392 |



A = 563/863mm.

B = 560mm.

C = 18mm.

D = 10mm.

Thick = 1.3mm.

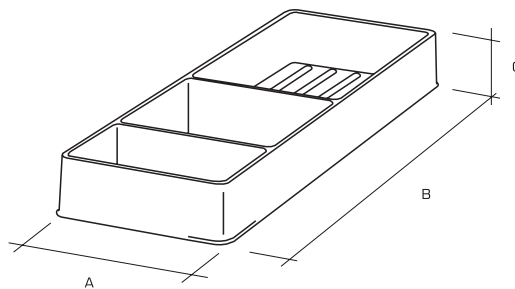


FEATURES

- ➔ Adaptable Under sink organizer.
- ➔ For efficient space saving storage.
- ➔ Suitable with sink base TA – 390.
- ➔ Finish: Plastic grey.
- ➔ Size: (w) 145mm x (d) 445mm x (h) 50mm.

ORDER INFORMATION

| TA-392 | ITEM NO. |
|------------------------------|-------------|
| Plastic Organizer Under Sink | 340.703.392 |



A = 150mm.

B = 445mm.

C = 50mm.

Thick = 2mm.



FEATURES

- ➔ Plate Rack with high drip tray.
- ➔ Made of AISI 304 Stainless Steel.
- ➔ Available with 304 Stainless Steel Drainer.
- ➔ For Cabinet width 600mm/900mm.
- ➔ Fastening with Spring loaded pin fixation.
- ➔ Easy to clean.

ORDER INFORMATION

| TA-445 | ITEM NO. |
|--------|-------------|
| 600mm | 350.601.445 |
| 900mm | 350.601.446 |



600/900mm



Spring-loaded pin fixation



FEATURES

- ➔ Plate Rack combi with glass rack.
- ➔ Combination of glass racks and plate racks.
- ➔ Combination of Both at one level.
- ➔ Made of AISI 304 Stainless Steel.
- ➔ Available with 304 Stainless Steel Drainer.
- ➔ For Cabinet width 600 mm/900mm.
- ➔ Fastening with Spring loaded pin fixation.
- ➔ Easy to clean.

ORDER INFORMATION

| TA-446 | ITEM NO. |
|--------|-------------|
| 600mm | 350.602.446 |
| 900mm | 350.602.447 |



600/900mm



Spring-loaded pin fixation

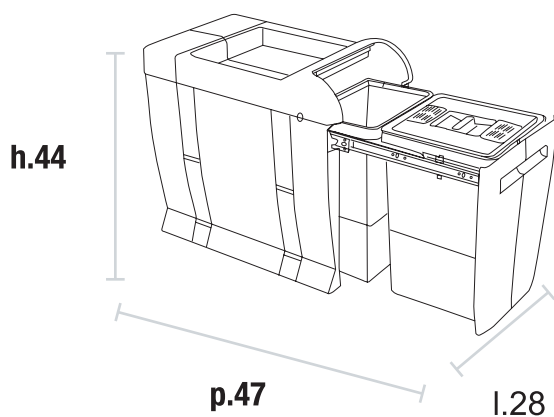


FEATURES

- ➔ A unique system for complete removal of waste that needs to be separated with an original design.
- ➔ City Waste Bins Design and shapes make a product that is totally ergonomic and easy to use.
- ➔ Fully plastic product, runners and extraction device made only of metal.
- ➔ A Unique hatch with a flap to dispose of small pieces of waste.
- ➔ Upper shelf can be used to keep objects (detergent, sponges, etc.)
- ➔ Bins have a bucket and a lid with an odour filter.
- ➔ Space saving shaped side.
- ➔ Easy to assemble with just 4 screws.
- ➔ Capacity 12L+ 12L=24 liter.
- ➔ Finish plastic grey.
- ➔ Min. size required :-
(w)280mm x(d) 470mm x(h) 440mm.

ORDER INFORMATION

| TA-451 | ITEM NO. |
|----------------|-------------|
| City Waste Bin | 360.400.451 |



Space saving shaped sides.



A hatch which flips open for the disposal of small waste.



Upper tray for holding objects.



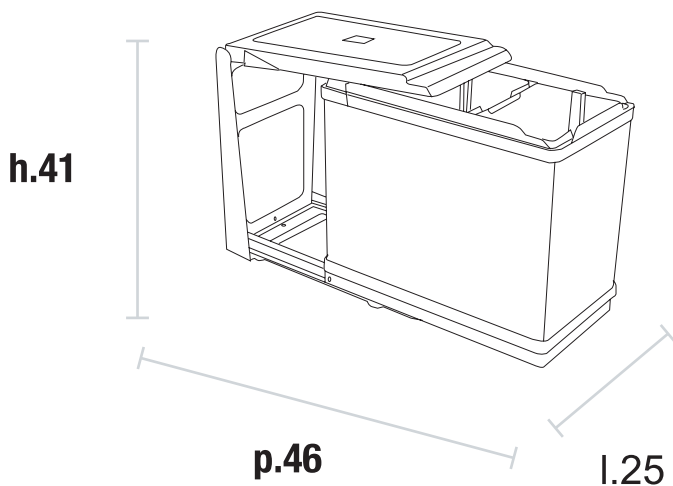


FEATURES

- ➔ A dustbin product line for the separate collection of waste with an extractable basket.
- ➔ Automatic opening of the lid when the bin is extracted.
- ➔ Product made of plastic/stainless steel sheet.
- ➔ Hidden runners for fluid extraction.
- ➔ Easy to assemble with only 4 screws.
- ➔ Capacity 10L+16L = 26 liter.
- ➔ Finish gloss stainless steel with plastic grey.
- ➔ Minimum size required:-
(w) 250mm x (d)460mm x (h)410mm.

ORDER INFORMATION

| TA-452 | ITEM NO. |
|-----------------|-------------|
| Tower Waste Bin | 360.400.452 |



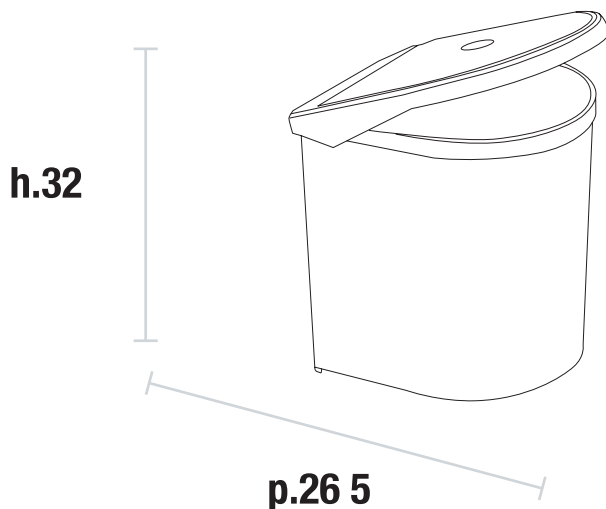


FEATURES

- ➔ A Round dustbins directly mounted with side of the cabinet.
- ➔ Automatic lid opening when door is opened.
- ➔ Easy to assemble.
- ➔ Can be mounted on right or left side.
- ➔ Capacity 10 liter.
- ➔ Finish – plastic grey.
- ➔ Min. Size required: (d)265mm x (h)320mm.

ORDER INFORMATION

| TA-453 | ITEM NO. |
|-------------------|-------------|
| Ring Dustbin grey | 360.400.453 |



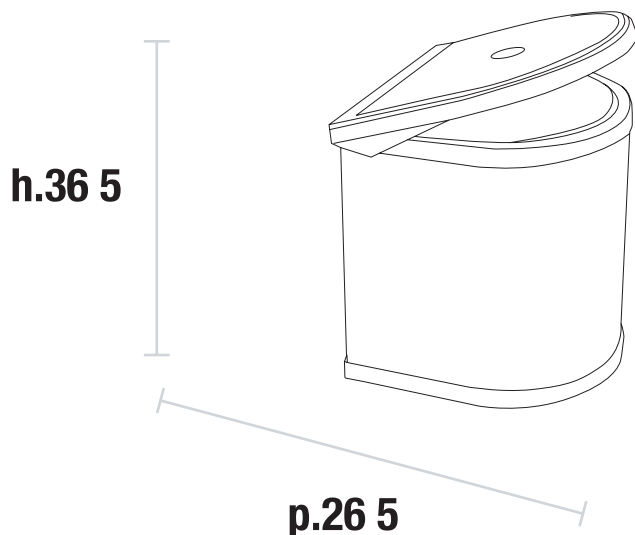


FEATURES

- ➔ A Round dustbins directly mounted with side of the cabinet.
- ➔ Automatic lid opening when door is opened.
- ➔ Easy to assemble.
- ➔ Can be mounted on right or left side.
- ➔ Capacity 12 L.
- ➔ Finish – stainless steel glossy.
- ➔ Min. Size required: (d)265mm x (h)365mm.

ORDER INFORMATION

| TA-454 | ITEM NO. |
|------------------------|-------------|
| Ring Dustbin SS glossy | 360.400.454 |



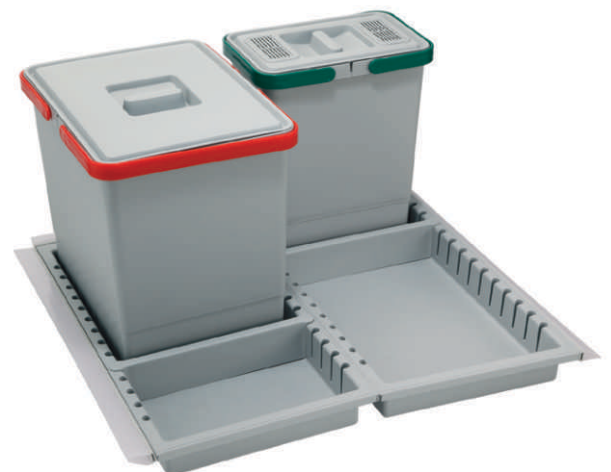
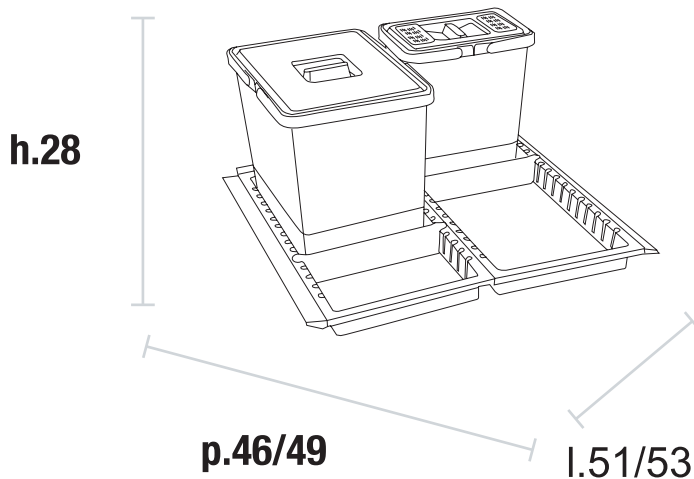


FEATURES

- ➔ The unique Metropolis Dustbin System is an accessory that fits directly into drawers.
- ➔ Flexible system that adapts to various internal sizes of drawers, completely modular and extremely easy to assemble.
- ➔ Supplied with flexible seal to compensate for any differences in terms of size, fully blocking the tray.
- ➔ All the bins have a bucket with a lid which has an odour filter.
- ➔ The dividers can be re-positioned to ensure flexibility.
- ➔ Capacity 15 L + 6 L.
- ➔ Finish- Plastic Grey.
- ➔ Minimum size required:-
(w)530mm x (d)490mm x (h)280mm.

ORDER INFORMATION

| TA-455 | ITEM NO. |
|--------------------------|-------------|
| Metropolis Dustbin 600mm | 360.400.455 |



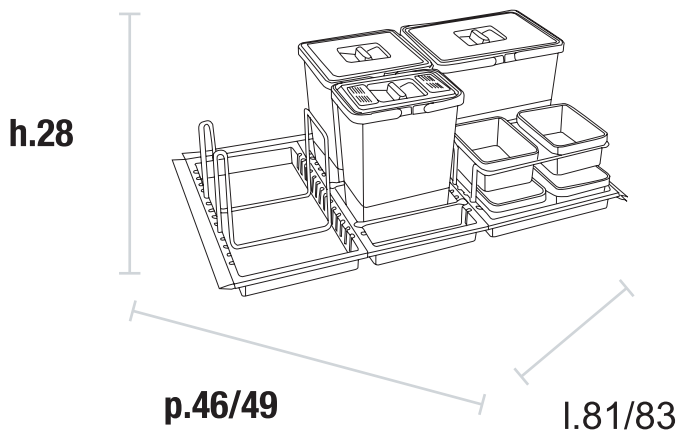


FEATURES

- ➔ The unique Metropolis Dustbin System is an accessory that fits directly into drawers.
- ➔ Flexible system that adapts to various internal sizes of drawers, completely modular and extremely easy to assemble.
- ➔ Supplied with flexible seal to compensate for any differences in terms of size, fully blocking the tray.
- ➔ All the bins have a bucket with a lid which has an odour filter.
- ➔ The dividers can be re-positioned to ensure flexibility.
- ➔ Accessories in chromed steel wire for detergent holder, trays holder, paper holder.
- ➔ Capacity 6 ltr + 10 ltr + 15 ltr + tray kits.
- ➔ Finish- Plastic Grey.
- ➔ Minimum size required:-
(w)830mm x (d)490mm x (h)280mm.

ORDER INFORMATION

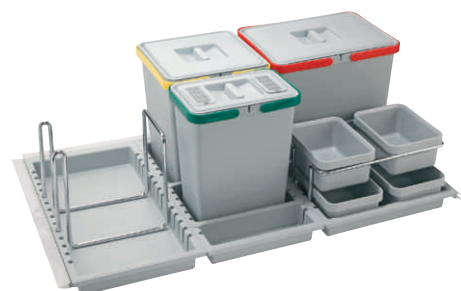
| TA-456 | ITEM NO. |
|--------------------------|-------------|
| Metropolis Dustbin 900mm | 360.400.456 |



Tray holder accessory



Detergent & Paper holder accessory



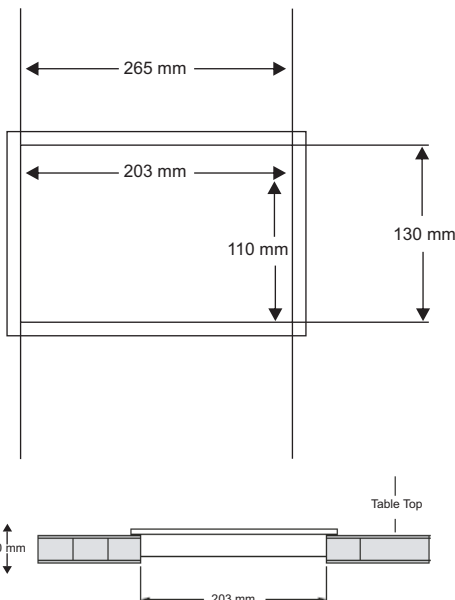


FEATURES

- ➔ Push button to reveal sockets.
- ➔ 7 module system ideal for desking, conference tables, kitchen tops etc.
- ➔ Complete ready to install wire management system with push button.
- ➔ Table top box adding a whole new dimension to your furniture.
- ➔ Choice of sockets available as per requirement.
- ➔ Sockets will be hide when not needed with single push button.
- ➔ Perfect solution for providing access to power connectivity for desks, work tables, conference tables kitchens tops etc.
- ➔ Sockets can be customized as per your specifications Range of sockets mention below. USB / HDMI / Audio / Video / Mic / VGA / Power / Data / Blank / Telephone.

ORDER INFORMATION

| TA-132 | ITEM NO. |
|----------|-------------|
| 7 Module | 440.132.006 |



1SET TA 132 WITH 7 MODULES
List Of 7 modules given below :

1. 2 Power socket.
2. 2 Data socket.
3. 1 VGA socket.



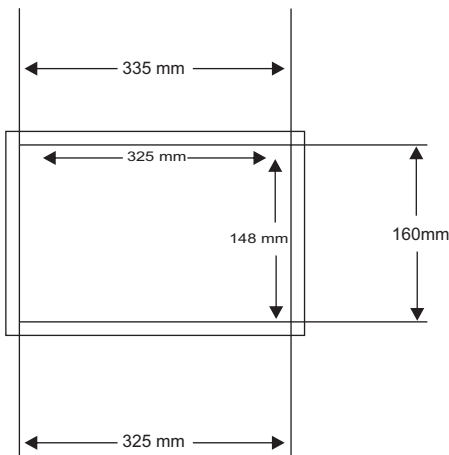


FEATURES

- ➔ Ideal for big conference tables.
- ➔ Push to open pneumatic.
- ➔ 8 module system.
- ➔ The lid of the box can be closed after plugging.
- ➔ Complete ready to install wire management system with touch open.
- ➔ Sockets will be hide when not needed with a simple finger touch.
- ➔ Choice of sockets available as per requirement.
- ➔ Perfect solution for providing access to power connectivity for desks, work tables, conference tables, podiums etc.
- ➔ Sockets can be customized as per your specifications Range of sockets mention below. USB / HDMI / Audio / Video / Mic / VGA / Power / Data / Blank / Telephone.

ORDER INFORMATION

| TA-131 | ITEM NO. |
|----------|-------------|
| 8 Module | 440.131.008 |



1SET TA 131 WITH 8 MODULES

List Of 8 modules given below :

1. 2 Power socket.
2. 2 Data socket.
3. 1 VGA socket.
4. 1 Telephone socket.



Lined area for taking notes, consisting of multiple horizontal dashed lines.



TATARIA'S HARDWARE INNOVATION

Basement No. 1, Hare Krishna A-1, Krishna Complex,
Near Telephone Exchange, L.B.S. Road, Ghatkopar (W), Mumbai - 400086.
Tel.: 022 - 2511 0017 / 2510 5545 , Telefax : 022 - 2511 4828 , Email : info@tataria.in

www.tataria.in